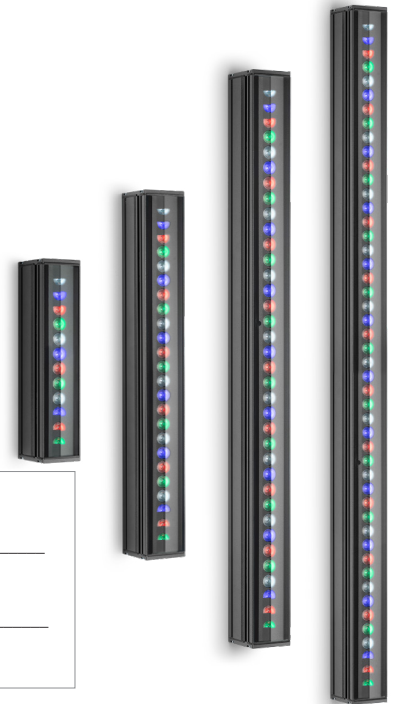


DESCRIPTION

PARADE L linear luminaires are available in one-foot increments up to four feet overall length. Each model features premium quality high brightness LEDs and a comprehensive selection of ten light distributions. Adjustable brackets are available in three standard lengths. Standard built-in programming capabilities include economical stand-alone operation or master-satellite configurations without the use of external control systems, or operation by remote DMX512 control systems. Four standard finishes are available with options for marine-grade or custom RAL finishes on request. All hardware is stainless steel.



IP67 / IK09 / CE / 

Date: \_\_\_\_\_ Type: \_\_\_\_\_ Catalog Number: \_\_\_\_\_

Project Name: \_\_\_\_\_

ORDERING INFORMATION

LUMINAIRE								
MODEL	CCT	CONTROL †	CABLE	VOLTAGE	OPTIC		FINISH	OPTION
<b>PDL1</b> Parade L1 - 1' Length	<b>RGBW30K</b> RGBW (3000K)	<b>DMX-RDM</b> DMX-RDM	<b>M</b> Monocable only (19.7")	<b>UNV</b> 120-277v	<b>SP</b> Spot 8°	<b>EW</b> Extra Wide 58°	<b>AG</b> Anthracite Grey	<b>AST</b> Anti-Saline Treatment
<b>PDL2</b> Parade L2 - 2' Length	<b>RGBW40K</b> RGBW (4000K)		<b>C</b> Monocable with connectors (19.7")		<b>NB</b> Narrow 12°	<b>ELH</b> Elliptical Horizontal 42° x 11°	<b>BL</b> Black	<b>LVR</b> Internal Honeycomb Louver
<b>PDL3</b> Parade L3 - 3' Length					<b>MB</b> Medium 26°	<b>ELWH</b> Elliptical Wide Horizontal 40° x 24°	<b>SG</b> Griven Silver Grey	
<b>PDL4</b> Parade L4 - 4' Length					<b>WB</b> Wide 40°	<b>WW</b> Wall Wash 36° x 15° (5° incline)	<b>WH</b> White	
<b>PDL1PE</b> Parade L1 Polar Edition - 1' Length							<b>CC</b> Custom RAL Color	
<b>PDL2PE</b> Parade L2 Polar Edition - 2' Length								
<b>PDL3PE</b> Parade L3 Polar Edition - 3' Length								
<b>PDL4PE</b> Parade L4 Polar Edition - 4' Length								

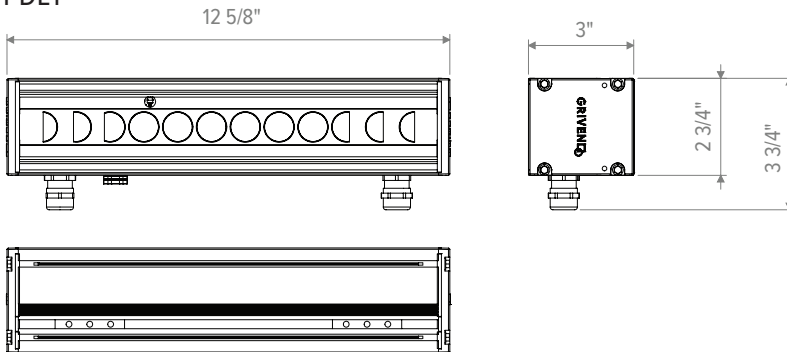
† Consult factory for availability of per-foot resolution. Consult factory for availability of additional optical options.

MOUNTING (Required- Specify Finish Where Applicable)		*XX- MOUNTING FINISHES		WIRING ACCESSORIES
<b>AL5055</b>	(2) 3" Bracket	<b>AG</b>	Anthracite Grey	See separate Wiring and Accessory Application Sheet.
<b>AL5056</b>	(2) 6" Bracket	<b>BL</b>	Black	
<b>AL5057</b>	(2) 10" Bracket	<b>SG</b>	Griven Silver Grey	
<b>WB-06-PDL1/L2-XX*</b>	(1) 6" Wall Bracket	<b>WH</b>	White	
<b>WB-06-PDL3/L4-XX*</b>	(2) 6" Wall Bracket	<b>CC</b>	Custom RAL Color	

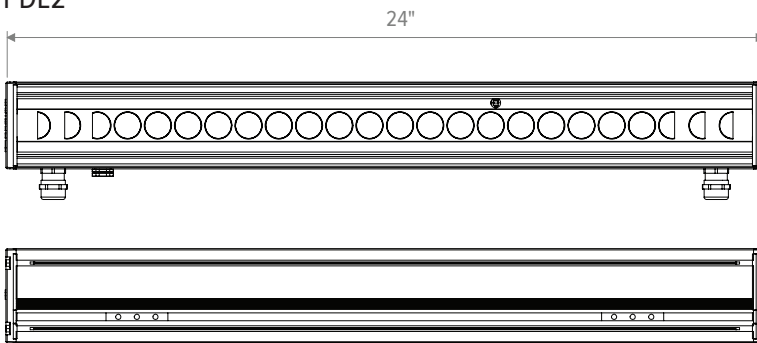
		PARADE L1	PARADE L2	PARADE L3	PARADE L4	
PHYSICAL	HOUSING	Extruded aluminum				
	HOUSING SIZE	12-5/8" x 2-3/4" x 3"	24" x 2-3/4" x 3"	36" x 2-3/4" x 3"	48" x 2-3/4" x 3"	
	YOKE	Fabricated aluminum				
	WEIGHT	4 lbs	6.2 lbs	9 lbs	11.7 lbs	
PHOTOMETRIC	LED	RGBW (3000K or 4000K White)				
	# LEADS	12	24	36	48	
	L70 LUMEN MAINTENANCE	100,000 Hours @ 25°C*				
	# DISTRIBUTIONS	Eight				
	VERTICAL AIMING CAPABILITY	+/- 90°				
	LIGHT CONTROL ACCESSORIES	Visor, Snoot; Consult factory for optional spreading diffusers.				
LIGHT DISTRIBUTIONS *	DISTRIBUTION	BEAM ANGLE	LUMENS / MAX CANDELA	LUMENS / MAX CANDELA	LUMENS / MAX CANDELA	LUMENS / MAX CANDELA
	SPOT	8°	722/17982	1643/40342	2538/63885	3468/80722
	NARROW	12°	694/8222	1579/18703	2440/28902	3334/39491
	MEDIUM	26°	696/2707	1584/6370	2447/9840	3343/13443
	WIDE	40°	626/1146	1425/2607	2201/9755	3007/5501
	EXTRA WIDE	58°	490/513	1115/1168	2102/5414	2354/2466
	ELLIPTICAL	42° X 11°	650/2926	1479/6660	2285/10289	3122/14058
	ELLIPTICAL WIDE	40° X 24°	598/1540	1361/3505	1722/1804	2872/7397
	WALL WASH (INCLINED 5°)	36° X 15°	628/2773	1429/6313	2208/9755	3016/13324
* Values based on full RGBW output						
ELECTRICAL	POWER CONSUMPTION	20 watts max	38 watts max	59 watts max	79 watts max	
	AMPERAGE	0.15A @ 120VAC 0.08A @ 277VAC	0.32A @ 120VAC 0.15A @ 277VAC	0.50A @ 120VAC 0.22A @ 277VAC	0.67A @ 120VAC 0.29A @ 277VAC	
	EFFICACY	Up to 40.2 lumens per watt				
	LUMEN OUTPUT	490 to 722 lumens	1115 to 1643 lumens	1722 to 2538 lumens	2354 to 3468 lumens	
	CONTROL PROTOCOLS *	DMX/RDM   Self-Addressing   Standalone   Master-Satellite   DMX/RDM Addressable per foot (Contact Factory) * See separate DMX Mode Application Sheet				
	OPERATING TEMPERATURE	-40°C to 50°C (-40°F to 122°F)				
CERTIFICATIONS	SAFETY	ETL Listed for Wet Locations				
	INGRESS PROTECTION	IP67				
	IMPACT RATING	IK10				
	EUROPEAN	CE / RoHS				
ACCESSORIES	VISOR	x	x	x	x	
	SNOOT	x	x	x	x	
	INTERNAL HONEYCOMB LOUVER	x	x	x	x	
	3" BRACKETS	x	x	x	x	
	6" BRACKETS	x	x	x	x	
	10" BRACKETS	x	x	x	x	
	INFRARED REMOTE CONTROL	x	x	x	x	

**DIMENSIONS** All dimensions are shown in inches unless otherwise noted.

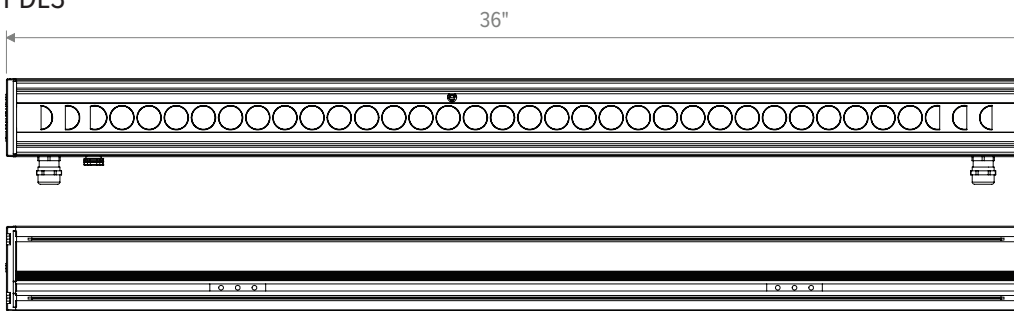
PDL1



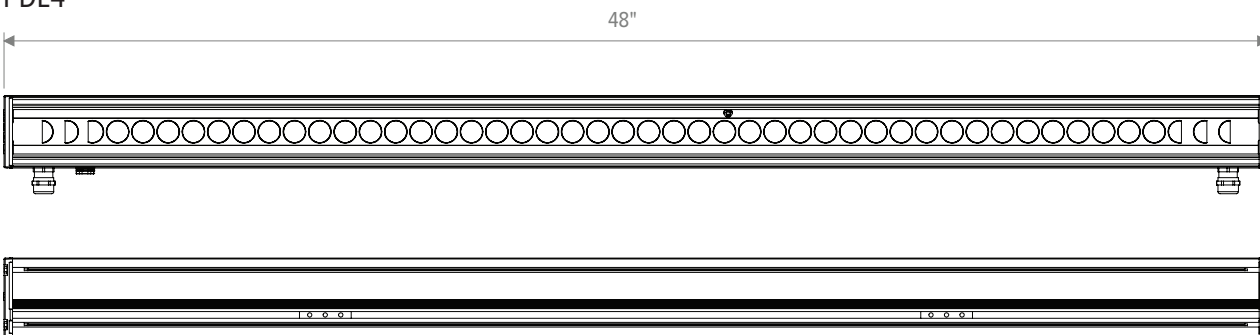
PDL2



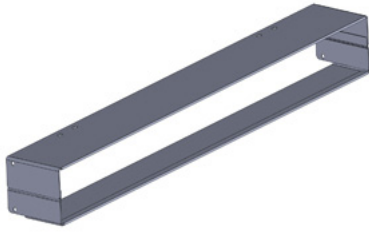
PDL3



PDL4

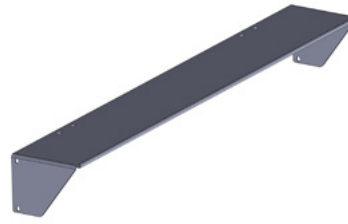


ACCESSORIES



**Snoot** (Specify Finish)

- AL5103-XX\* *Snoot for Parade PDL1*
- AL5104-XX\* *Snoot for Parade PDL2*
- AL5105-XX\* *Snoot for Parade PDL3*
- AL5106-XX\* *Snoot for Parade PDL4*



**Visor** (Specify Finish)

- AL5096-XX\* *Visor for Parade PDL1*
- AL5097-XX\* *Visor for Parade PDL2*
- AL5098-XX\* *Visor for Parade PDL3*
- AL5099-XX\* *Visor for Parade PDL4*

**\*XX- ACCESSORY FINISHES**

- AG Anthracite Grey
- BL Black
- SG Griven Silver Grey
- WH White
- CC Custom RAL Color

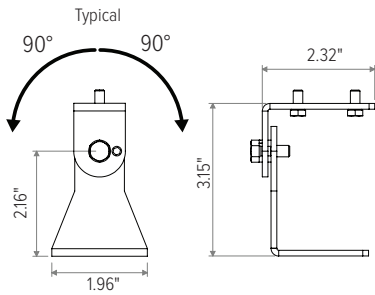


**Infrared Remote Control** (Note: Unless an RDM compatible control is used, an Infrared Remote Control (AL1321) must be purchased in order to access DMX addressing.)

AL1321

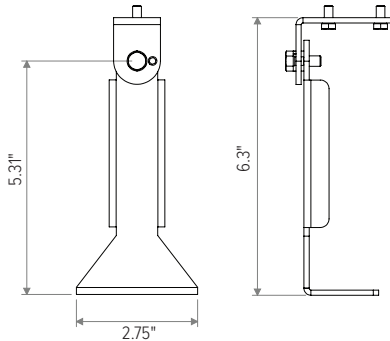
LUMINAIRE BRACKET OPTIONS (sold separately)

All dimensions are shown in inches unless otherwise noted.



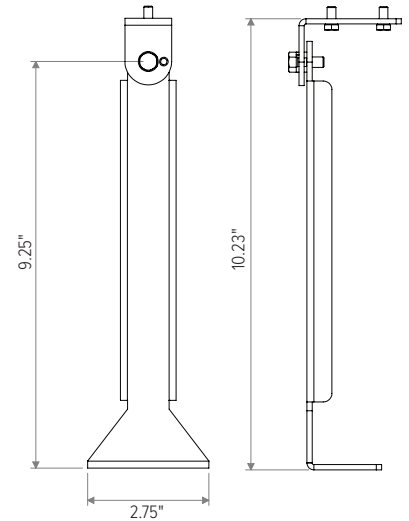
AL5055

3.15" Bracket



AL5056

6.3" Bracket

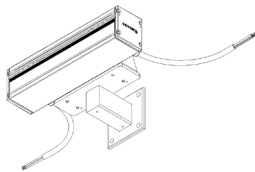


AL5057

10.23" Bracket

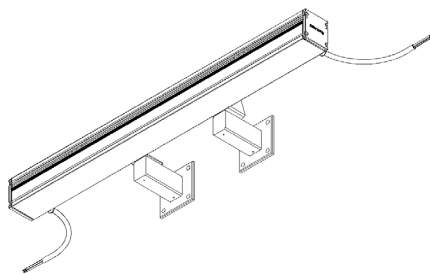
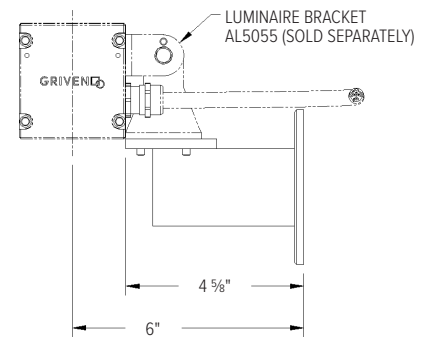
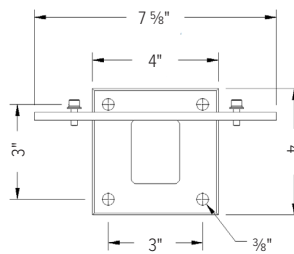
WALL BRACKET OPTIONS (sold separately)

The Griven Parade L Wall Bracket can be used with the Griven Parade L product family. The Wall Bracket will position the center of the Parade L optics at a distance of six inches from the wall.



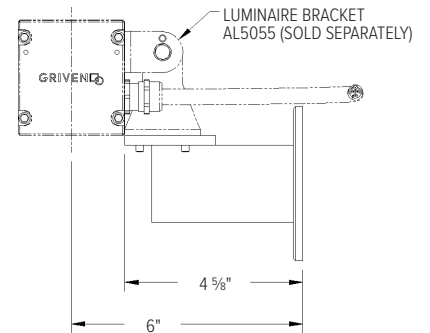
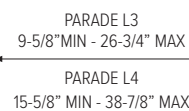
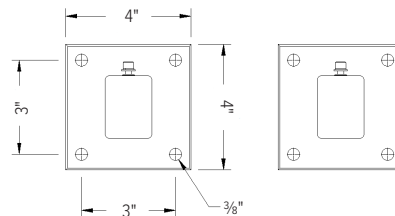
WB-06-PDL1/L2-XX\* (\*Specify finish)

(1) 6" Wall Bracket



WB-06-PDL3/L4-XX\* (\*Specify finish)

(2) 6" Wall Bracket

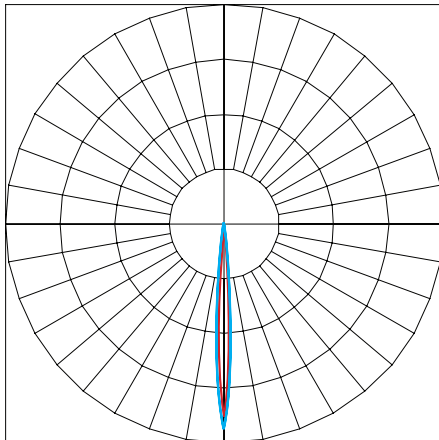


PHOTOMETRICS

Values shown are for PDL4. Multiply by 75%, 50%, and 25% respectively for PDL3, PDL2, and PDL1.

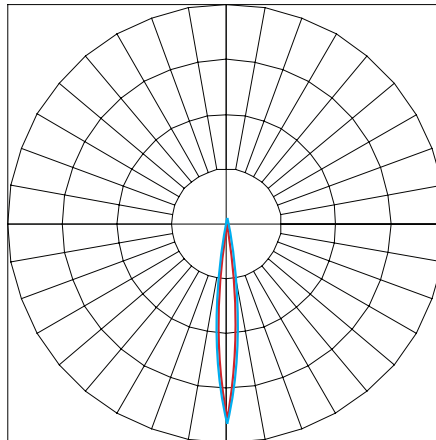
CANDELA DISTRIBUTION

SPOT 8°



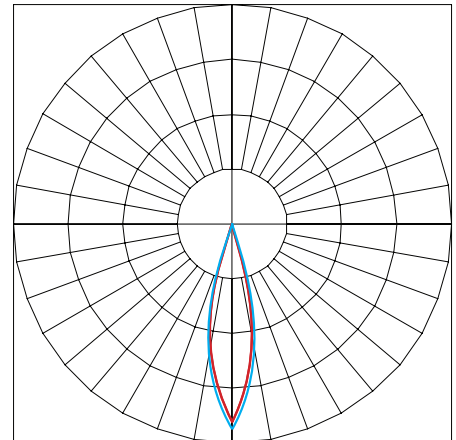
— HORIZONTAL  
— VERTICAL CBCP 80722 3468 lm

NARROW 12°



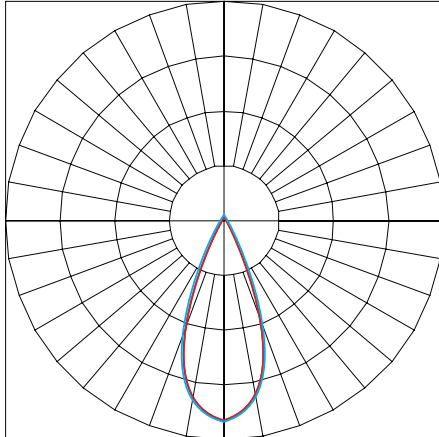
— HORIZONTAL  
— VERTICAL CBCP 39491 3334 lm

MEDIUM 26°



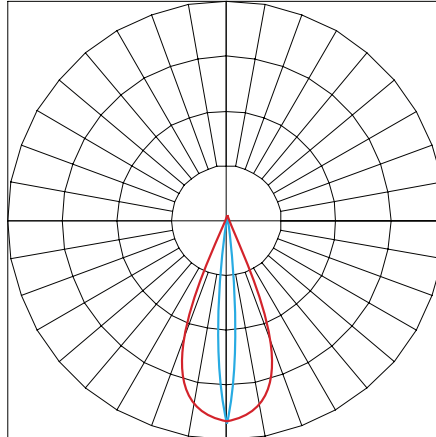
— HORIZONTAL  
— VERTICAL CBCP 13443 3343 lm

WIDE 40°



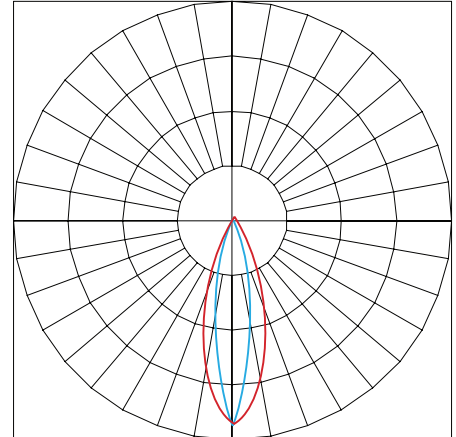
— HORIZONTAL  
— VERTICAL CBCP 5501 3007 lm

ELLIPTICAL 42° X 11°



— HORIZONTAL  
— VERTICAL CBCP 14058 3122 lm

ELLIPTICAL WIDE 40° X 24°



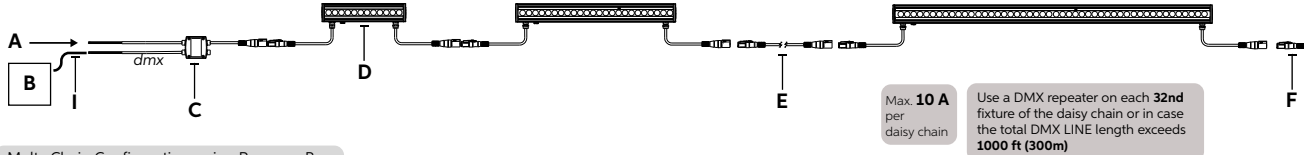
— HORIZONTAL  
— VERTICAL CBCP 7397 2872 lm

CONTROL OPTIONS (DMX512, PRIMARY CONTROL PLATFORM)

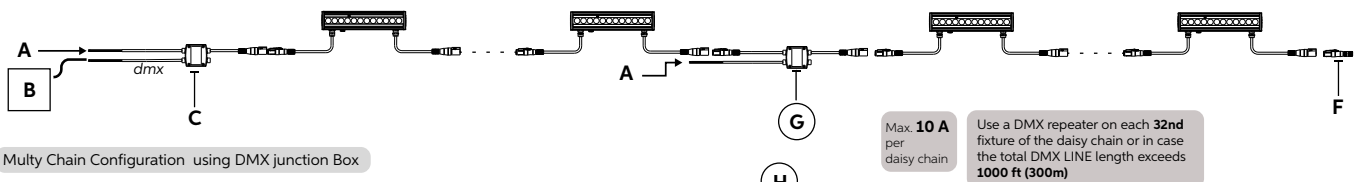
Contact manufacturer for control system development.

Copyright © 2020, GRIVEN S.r.l World Lighting Challenge - www.griven.com

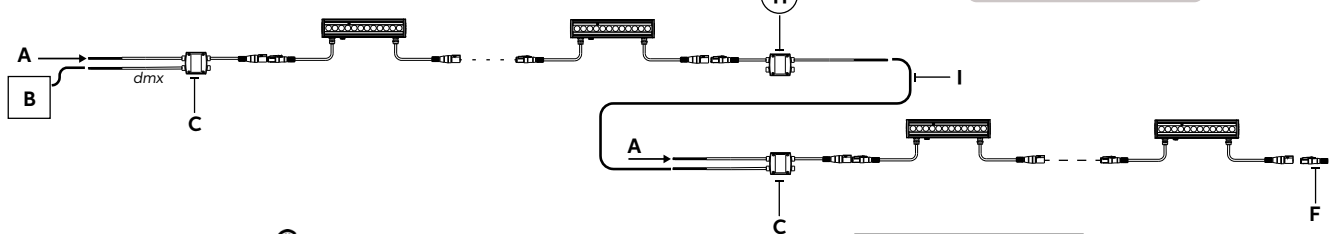
Single Chain Configuration



Multy Chain Configuration using Repower Box



Multy Chain Configuration using DMX junction Box



- A - Power Input CE ver. 220-240 Vac - ver. 120 & 277 Vac
- B - DMX/RDM Controller
- C - Start Line Box - AL5058C with connectors / AL5058M without connectors
- D - Parade L-1, L-2, L-3, L-4, L-2 Recessed, L-3 Recessed
- E - Connection Cable - AL8264 L=1m AL8265 L=2m AL8266 L=3m AL8267 L=5m AL8268 L=10m
- F - DMX Terminator - AL5169
- G - Repower Box - AL5167C with connectos / AL5167M without connectors
- H - DMX Junction Box - AL5059C with connectors / AL5059M without connectors
- I - DMX Cable - AL0512

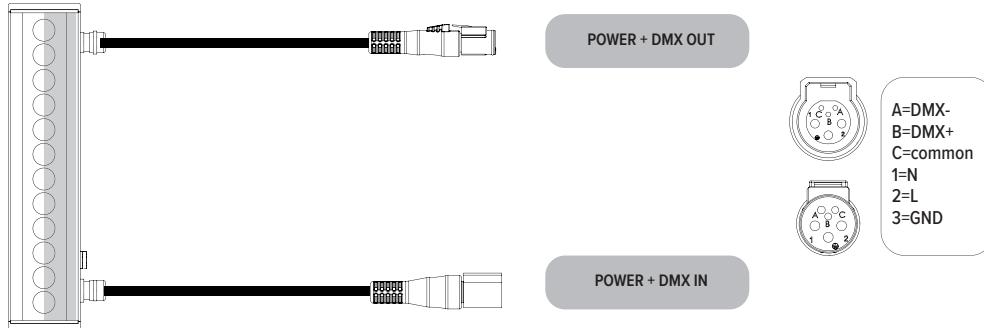
CE Colours	USE
Brown	Live
Blue	Neutral
Yellow/Green	Ground
Red	DMX Data +
Black	DMX Data -
White	DMX GND

NOTES:

1. Wire specifications are available from factory as well as approved wire for purchase.
2. Other control protocol solutions available. Contact factory for more information.
3. Wireless components are external to fixture. Distance limitations based on antennas chosen and site conditions. Contact factory for more information.
4. Based on maximum of 32 fixtures per run as well as any site constraints on conveyance of data.
5. For example: Lutron, Crestron, Encelium, Douglas, ETC by others. Griven control system will interface with building lighting control system.
6. Local wall controller for small applications. Wall controllers specified separately for larger systems.
7. Contact factory for assistance with specification. Onsite commissioning by Griven of control system is required.

CONNECTIONS

"C" Type cable ( Monocable + connectors )



"M" Type cable ( Monocable without connectors - RDM version )

